

Davey Blocks

for classic yachts

made by

METALMOR




Products for Classic Sailing

www.metalmor.com



Davey & Company

Est.  1885

**Traditional design,
strong, simple and functional**

DaveyBlocks

for classic yachts

Compact ash blocks. **DaveyBlocks** are produced for the British company DAVEY & Co London Ltd. Their shape is based on the English style of the 1920s. Tufnol sheaves. The **Daveyblocks** are used for ropes from 8 mm to 14 mm.

Highlight: The stainless steel axle is secured with a screw, making it easy to dismantle the block for maintenance and inspection. The **Daveyblocks** are intended for yachts up to 12-14 meters.

The advantages of the **DaveyBlocks**:



- ✓ traditional design,
- ✓ strong construction,
- ✓ varnish for difficult marine conditions,
- ✓ high strength sheaves,
- ✓ bindings are made of strong stainless steel (AISI316),
- ✓ polished bindings

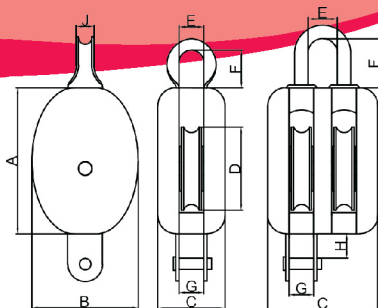


Davey Blocks

Davey & Company

Type:

Est.  1885



DaveyBlocks single sheaves



	Davey Block 10E1	Davey Block 12E1	Davey Block 14E1
Rope mm	8-10 mm	10-12 mm	12-14 mm
A	78	90	104
B	57	68	77
C	46	48	54
D	40	50	60
E	12	13	13
F	17	18	19
G	14	16	18
J	6	8	8
kg	0,2	0,3	0,4



DaveyBlocks double sheaves



	Davey Block 10E2	Davey Block 12E2	Davey Block 14E2
Rope mm	8-10 mm	10-12 mm	12-14 mm
A	78	90	104
B	57	68	77
C	72	76	84
D	40	50	60
E	17	18	20
F	21	24	25
G	14	16	18
J	8	10	10
kg	0,3	0,5	0,8



DaveyBlocks tripple sheaves



	Davey Block 10E3	Davey Block 12E3	Davey Block 14E3
Rope mm	8-10 mm	10-12 mm	12-14 mm
A	78	90	104
B	57	68	77
C	98	93	114
D	40	50	60
E	42	44	48
F	30	30	30
G	14	16	18
J	10	12	12
kg	0,4	0,7	0,8

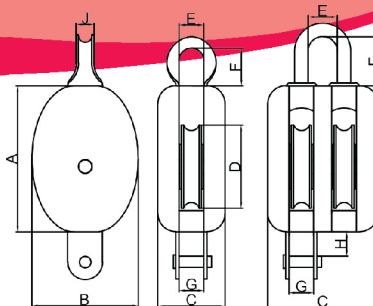


DaveyBlocks

Davey & Company

Type:

Est.  1885



DaveyBlocks single sheaves with becket



	Davey Block 10E1+	Davey Block 12E1+	Davey Block 14E1+
Rope mm	8-10 mm	10-12 mm	12-14 mm
A	78	90	104
B	57	68	77
C	46	48	54
D	40	50	60
E	12	13	13
F	17	18	19
G	14	16	18
H	17	21	21
J	6	8	8
kg	0,25	0,36	0,47



DaveyBlocks double sheaves with becket



	Davey Block 10E2+	Davey Block 12E2+	Davey Block 14E2+
Rope mm	8-10 mm	10-12 mm	12-14 mm
A	78	90	104
B	57	68	77
C	72	76	84
D	40	50	60
E	17	18	20
F	21	24	25
G	14	16	18
H	17	21	21
J	8	10	10
kg	0,35	0,56	0,87



DaveyBlocks tripple sheaves with becket



	Davey Block 10E3+	Davey Block 12E3+	Davey Block 14E3+
Rope mm	8-10 mm	10-12 mm	12-14 mm
A	78	90	104
B	57	68	77
C	98	93	114
D	40	50	60
E	42	44	48
F	30	30	30
G	14	16	18
H	17	21	21
J	10	12	12
kg	0,45	0,76	0,87

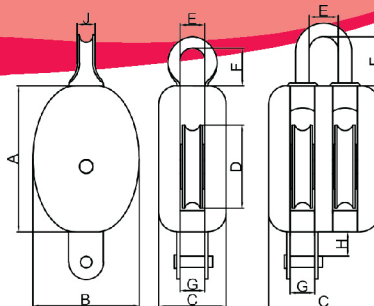


DaveyBlocks

Davey & Company

Type:

Est.  1885



DaveyBlocks single sheaves swivel



	Davey Block 10E1SW	Davey Block 12E1SW	Davey Block 14E1SW
Rope mm	8-10 mm	10-12 mm	12-14 mm
A	78	90	104
B	57	68	77
C	46	48	54
D	40	50	60
E	14	14	16
F	8	10	10
G	14	16	18
J	20	22	24
kg	0,25	0,35	0,45



DaveyBlocks double sheaves swivel



	Davey Block 10E2SW	Davey Block 12E2SW	Davey Block 14E2SW
Rope mm	8-10 mm	10-12 mm	12-14 mm
A	78	90	104
B	57	68	77
C	72	76	84
D	40	50	60
E	14	16	16
F	10	10	10
G	14	16	18
J	22	24	24
kg	0,38	0,57	0,73



DaveyBlocks tripple sheaves swivel

	Davey Block 10E3SW	Davey Block 12E3SW	Davey Block 14E3SW
Rope mm	8-10 mm	10-12 mm	12-14 mm
A	78	90	104
B	57	68	77
C	98	93	114
D	40	50	60
E	14	16	16
F	10	10	10
G	14	16	18
J	22	24	24
kg	0,45	0,9	1,08

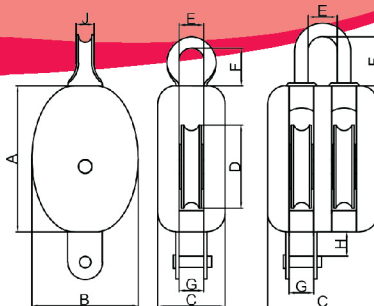


DaveyBlocks

Davey & Company

Type:

Est.  1885



DaveyBlocks single sheaves swivel with becket



	Davey Block 10E1SW+	Davey Block 12E1SW+	Davey Block 14E1SW+
Rope mm	8-10 mm	10-12 mm	12-14 mm
A	78	90	104
B	57	68	77
C	46	48	54
D	40	50	60
E	14	14	16
F	8	10	10
G	14	16	18
H	17	21	21
J	20	22	24
kg	0,3	0,41	0,52



DaveyBlocks double sheaves swivel with becket



	Davey Block 10E2SW+	Davey Block 12E2SW+	Davey Block 14E2SW+
Rope mm	8-10 mm	10-12 mm	12-14 mm
A	78	90	104
B	57	68	77
C	72	76	84
D	40	50	60
E	14	16	16
F	10	10	10
G	14	16	18
H	17	21	21
J	22	24	24
kg	0,43	0,64	0,8



DaveyBlocks tripple sheaves swivel with becket

	Davey Block 10E3SW+	Davey Block 12E3SW+	Davey Block 14E3SW+
Rope mm	8-10 mm	10-12 mm	12-14 mm
A	78	90	104
B	57	68	77
C	98	93	114
D	40	50	60
E	14	16	16
F	10	10	10
G	14	16	18
H	17	21	21
J	22	24	24
kg	0,5	0,96	1,15

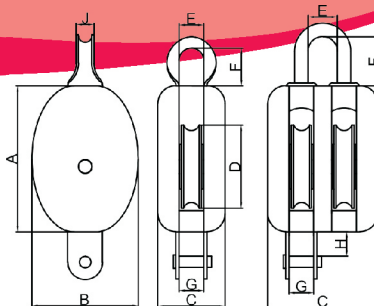


Davey Blocks

Davey & Company

Type:

Est.  1885



DaveyBlocks single sheaves hook



	Davey Block 10E1Hook	Davey Block 12E1Hook	Davey Block 14E1Hook
Rope mm	8-10 mm	10-12 mm	12-14 mm
A	78	90	104
B	57	68	77
C	46	48	54
D	40	50	60
E	11	14	14
F	30	30	30
G	14	16	18
J	8	10	10
kg	0,2	0,3	0,4



DaveyBlocks single sheaves hook with becket



	Davey Block 10E1Hook+	Davey Block 12E1Hook+	Davey Block 14E1Hook+
Rope mm	8-10 mm	10-12 mm	12-14 mm
A	78	90	104
B	57	68	77
C	46	48	54
D	40	50	60
E	11	14	14
F	30	30	30
G	14	16	18
H	17	21	21
J	8	10	10
kg	0,25	0,36	0,47



DaveyBlocks spring blocks



Standing springs for all types of Davey blocks with swivel fittings.

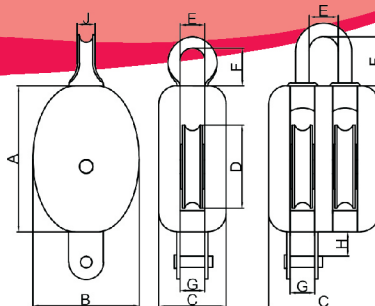


DaveyBlocks

Davey & Company

Type:

Est.  1885



DaveyBlocks single sheaves strop



	Davey Block 10ES1	Davey Block 12ES1	Davey Block 14S1
Rope mm	8-10 mm	10-12 mm	12-14 mm
A	78	90	104
B	57	68	77
C	46	48	54
D	40	50	60
kg	0,15	0,2	0,25



DaveyBlocks double sheaves strop



	Davey Block 10ES2	Davey Block 12ES2	Davey Block 14ES2
Rope mm	8-10 mm	10-12 mm	12-14 mm
A	78	90	104
B	57	68	77
C	72	76	84
D	40	50	60
kg	0,2	0,3	0,45

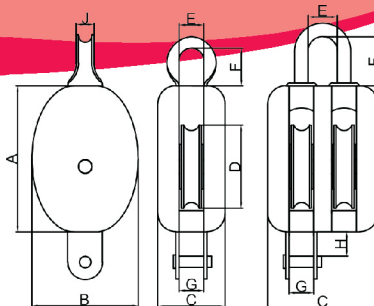


DaveyBlocks

Davey & Company

Type:

Est.  1885



DaveyBlocks fiddle



	Davey Block 12EV	Davey Block 14EV
Rope mm	10-12 mm	12-14 mm
A	175	280
B	80	125
C	48	75
D1	65	110
D2	40	70
E	13	25
F	18	38
G	16	25
J	8	8
kg	0,6	0,8



DaveyBlocks fiddle with becket



	Davey Block 12EV+	Davey Block 14EV+
Rope mm	10-12 mm	12-14 mm
A	175	280
B	80	125
C	48	75
D1	65	110
D2	40	70
E	13	25
F	18	38
G	16	25
H	21	21
J	8	8
kg	0,66	0,87



DaveyBlocks in parts



**Davey Blocks sales exclusively
by Davey&Company London Ltd.
and the company's business partners.**

www.davey.co.uk